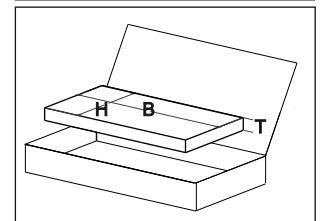


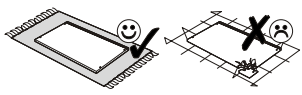
KK1 1	KD1 18	K1 20	ZM1A 26	W11 56
PMO1 12	NS60 7	ZM1B 26	ZM1 22	PP 16
ZK 4				

		1/2				
		B	H	T		
	1	686	706	16	x1	
	2	686	706	16	x1	
	4	706	236	16	x1	
	5	718	60	16	x1	
	6	718	60	16	x1	
	8	706	60	16	x2	
	9	706	60	16	x2	
	11	664	236	16	x4	

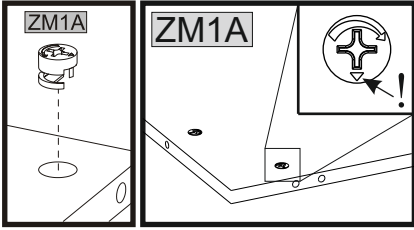
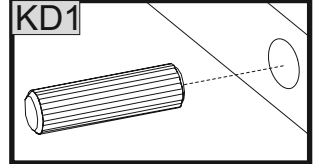
		2/2				
		B	H	T		
	3	1344	706	16	x1	
	7	1257	300	16	x1	
	10	1344	60	16	x2	
	12	1380	750	28	x1	



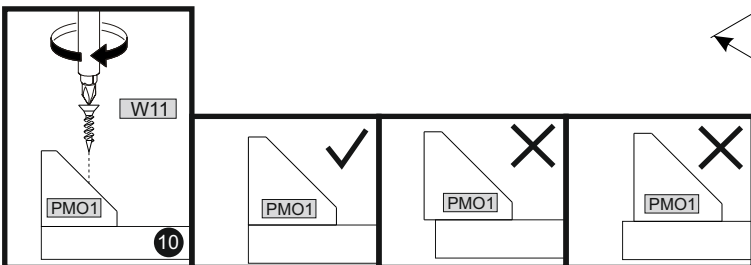
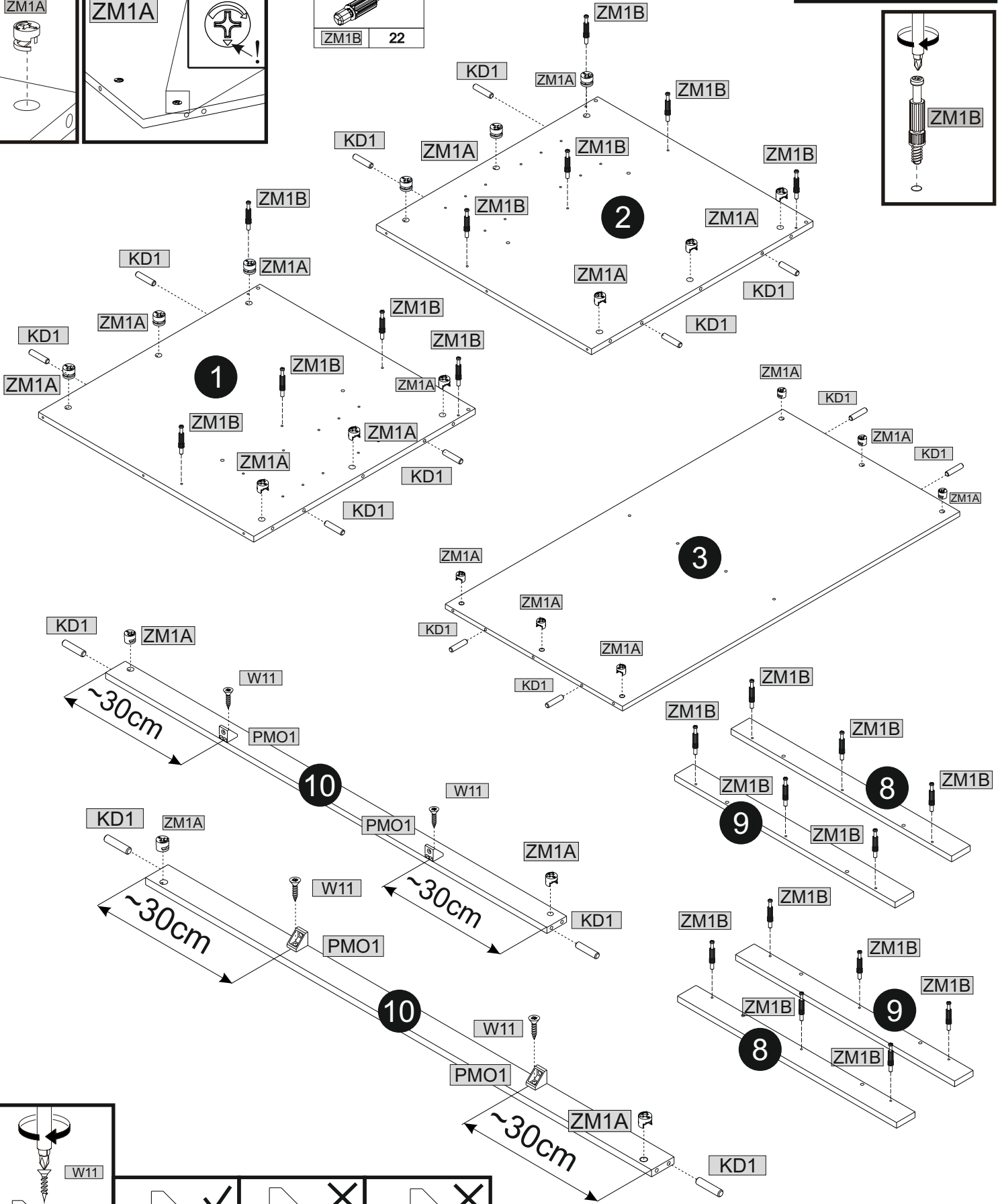
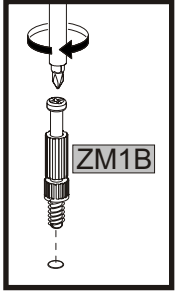
## 01



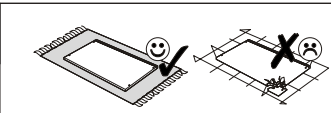
ZM1A	6	KD1	4	PMO1	4	W11	4
ZM1B	22						



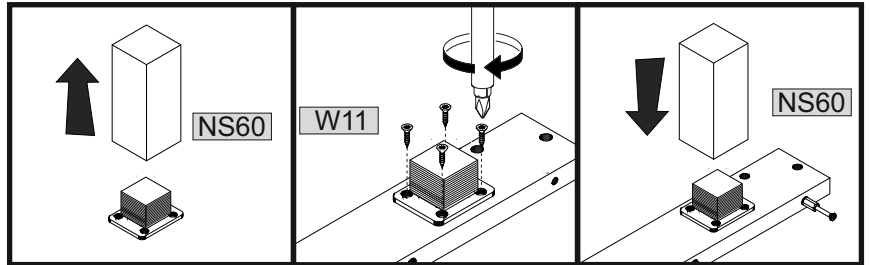
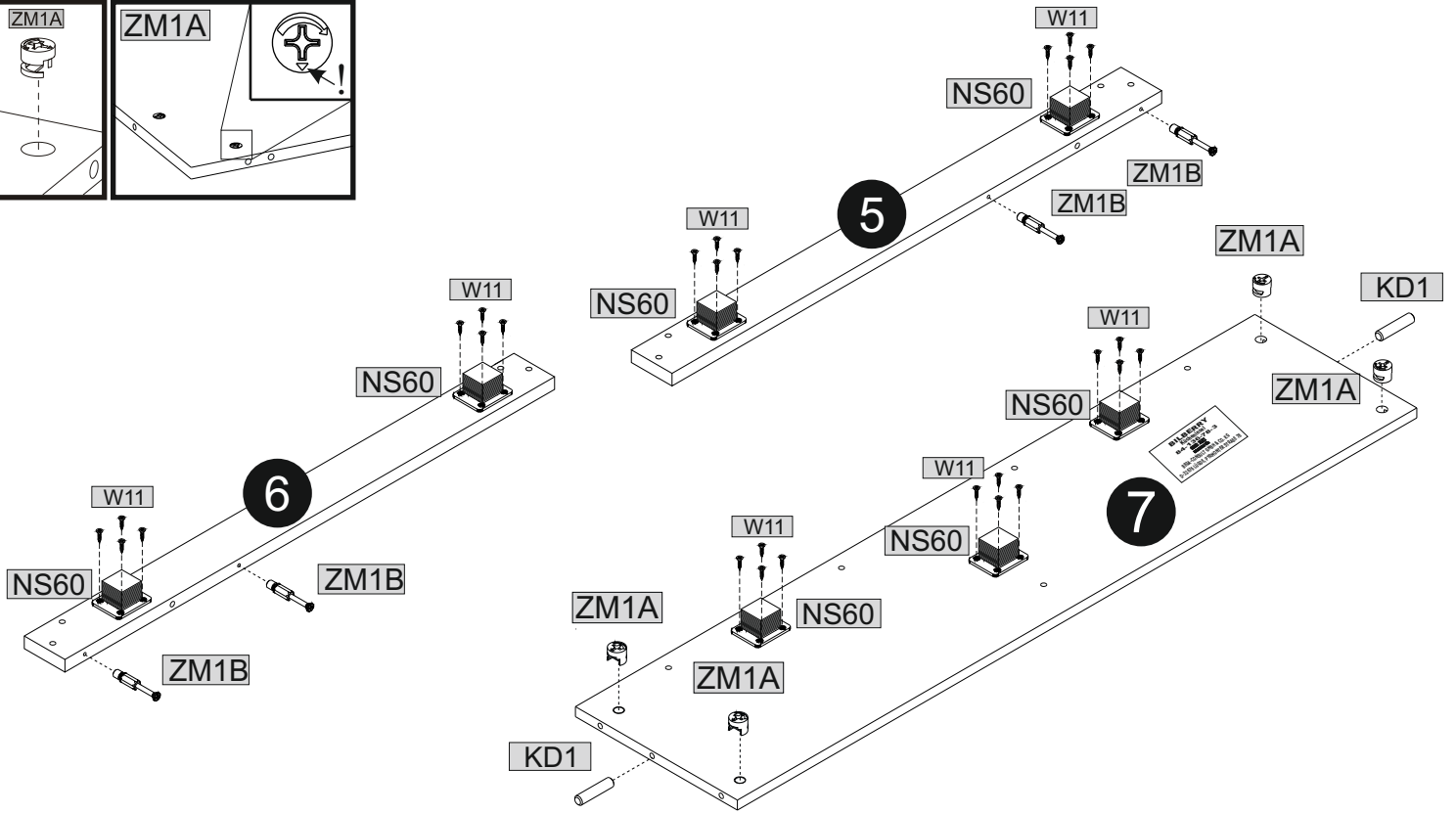
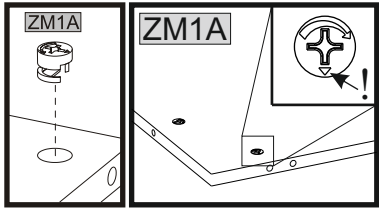
ZM1B	22
------	----



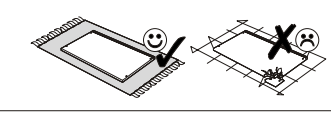
## 02



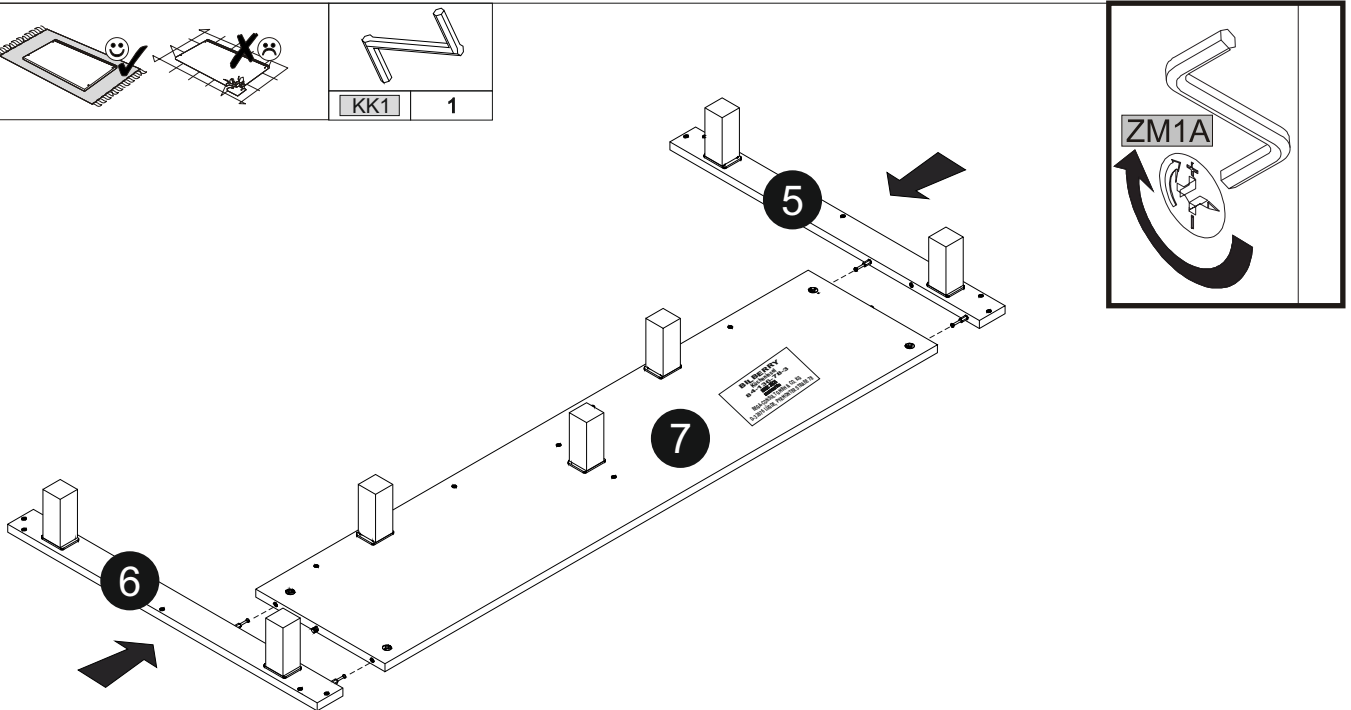
	7		4		2		4		28
					8x35				3,5x16



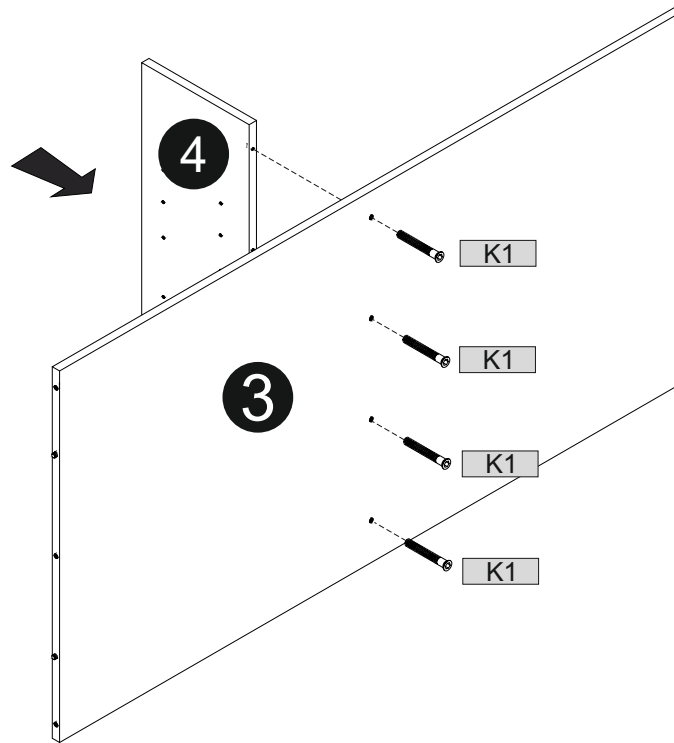
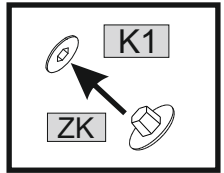
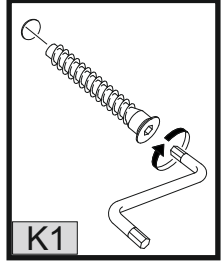
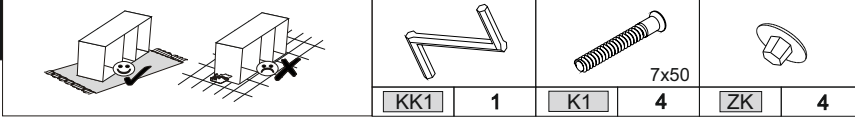
## 03



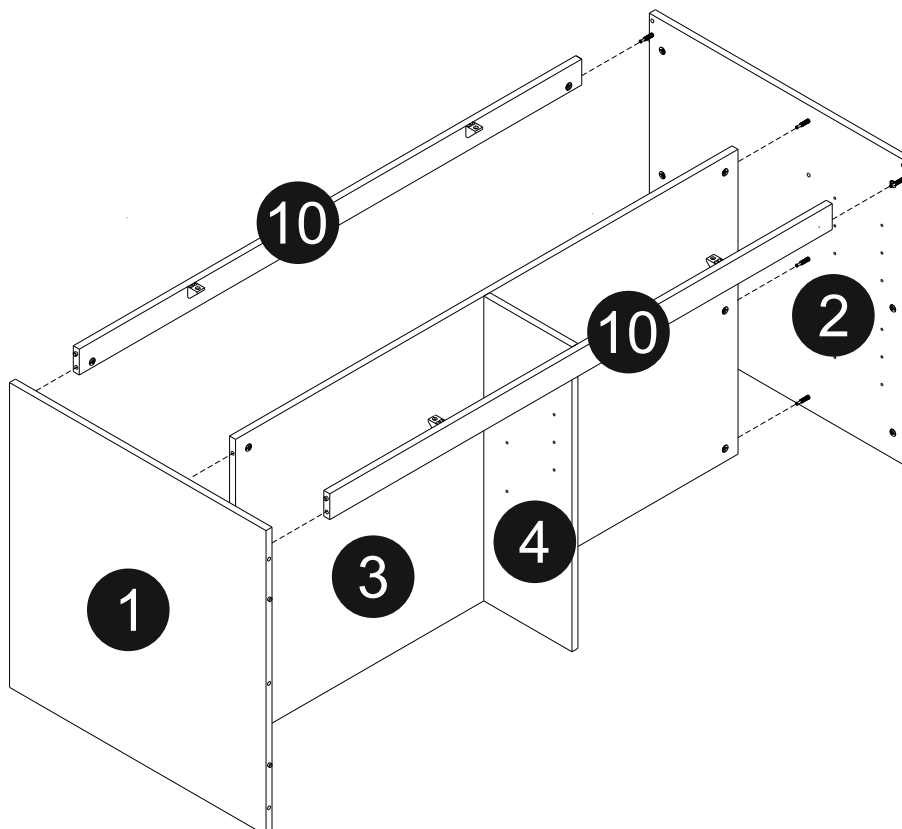
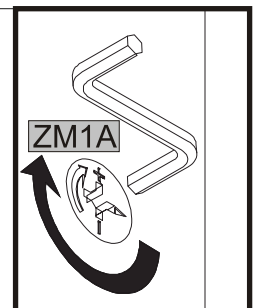
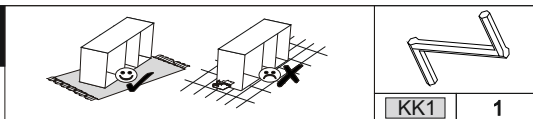
	1
--	---



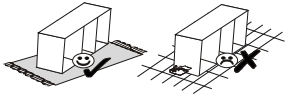
04



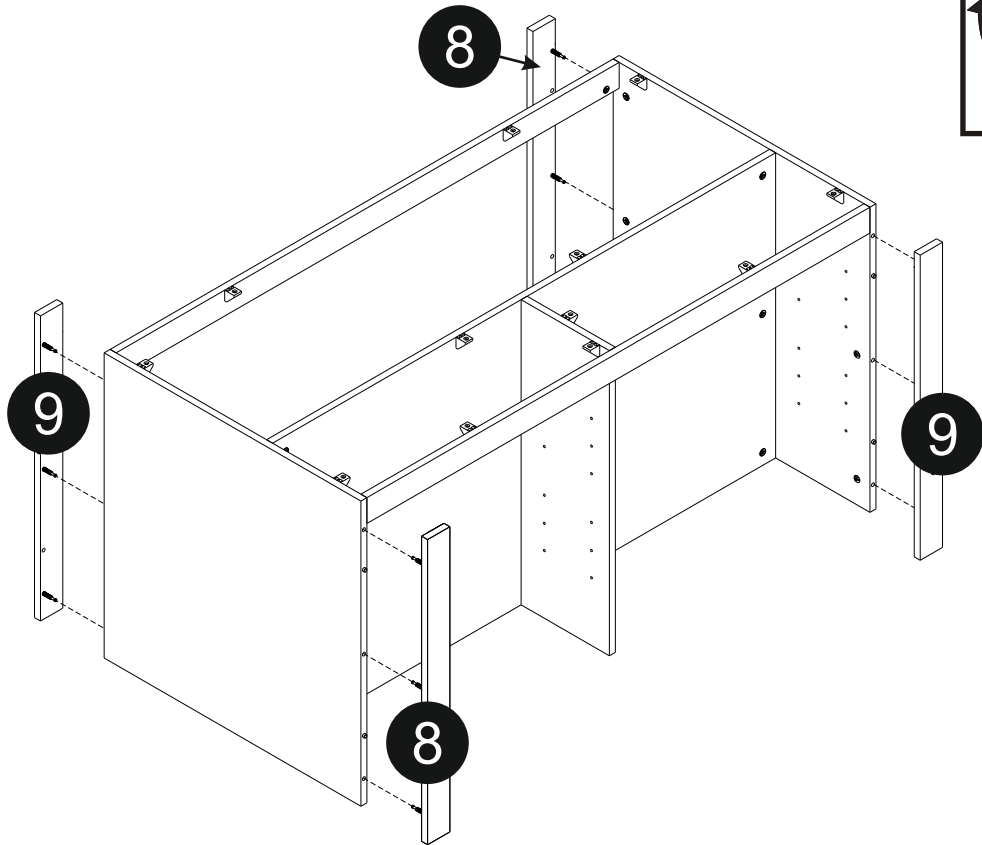
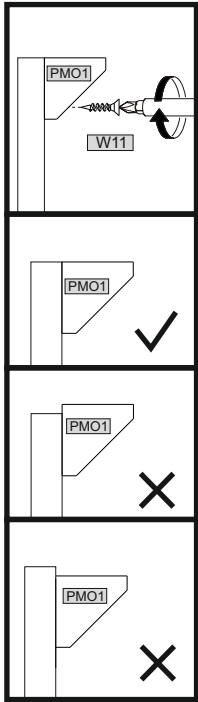
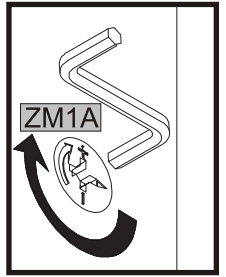
05



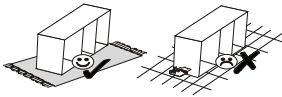
06



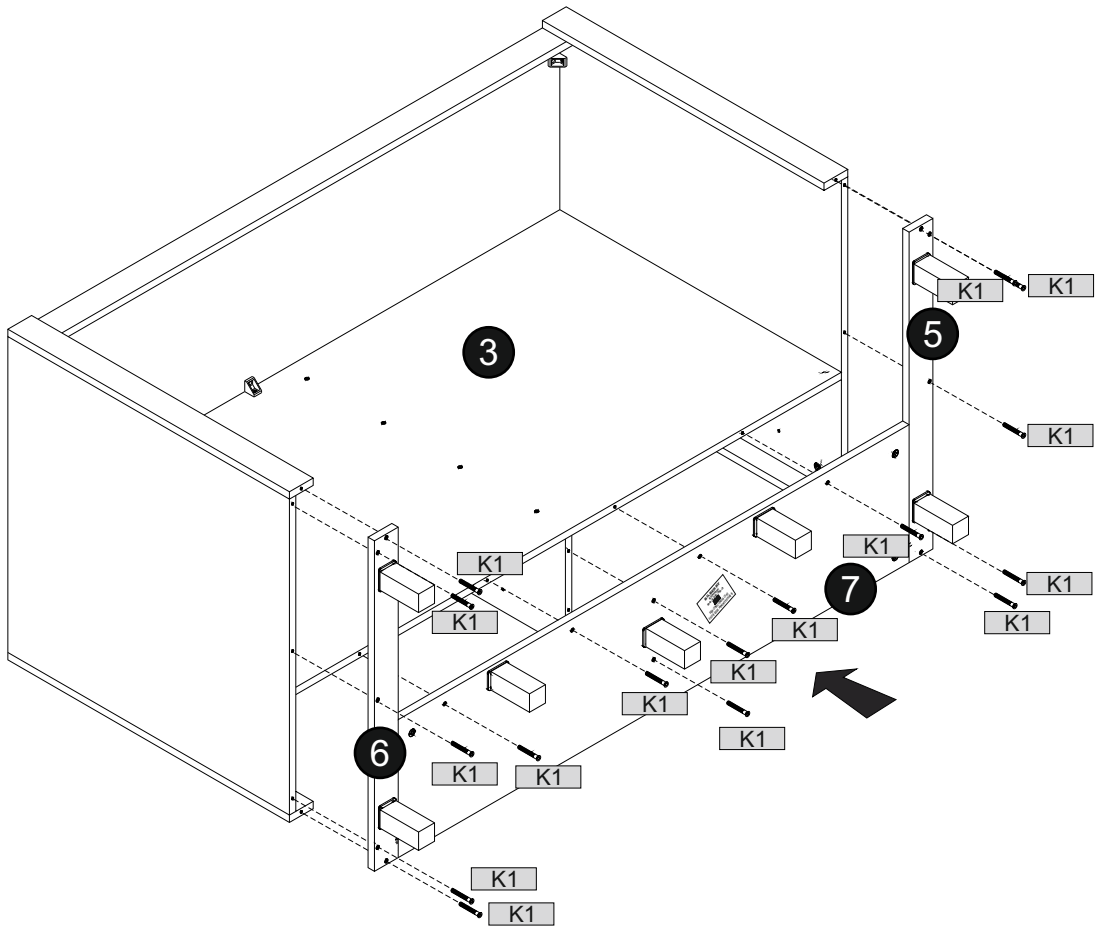
	1		8		8
--	---	--	---	--	---



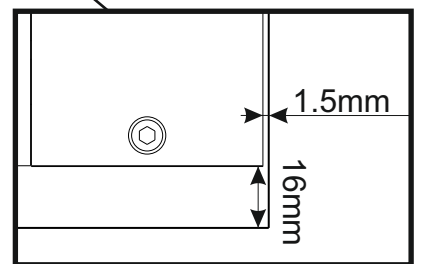
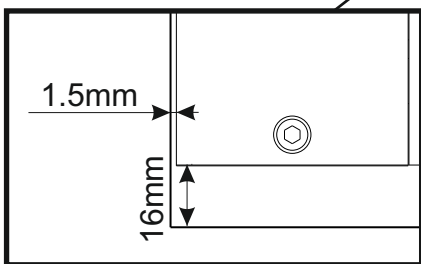
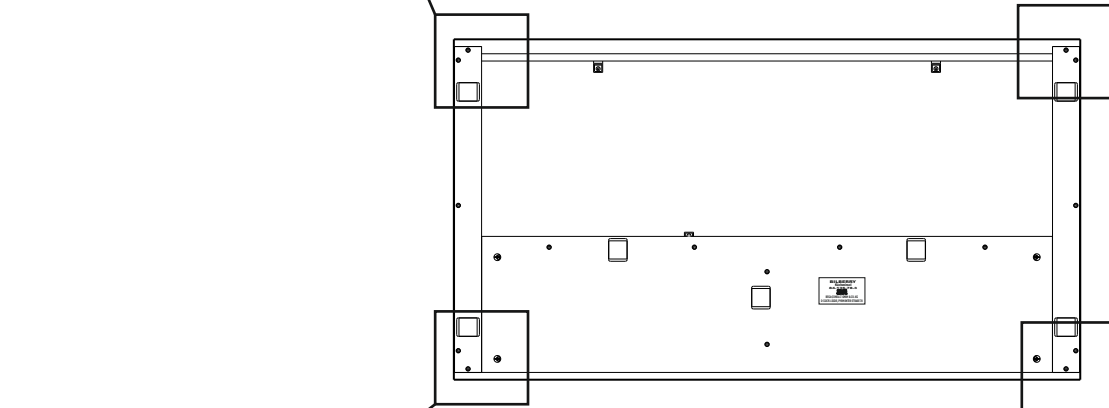
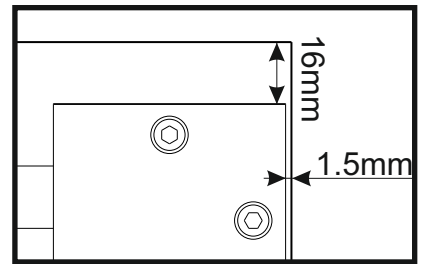
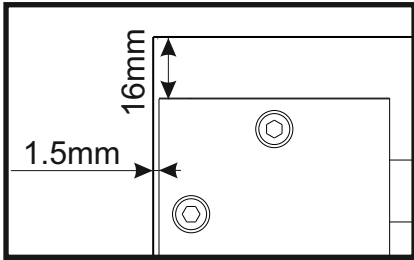
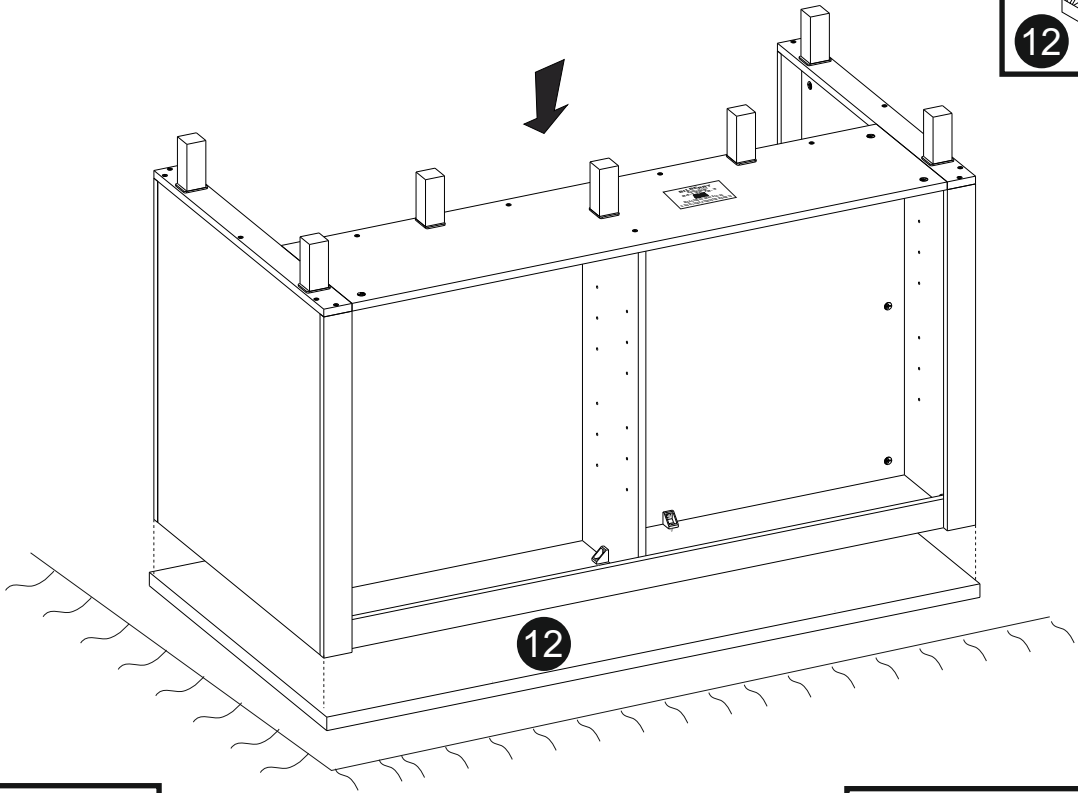
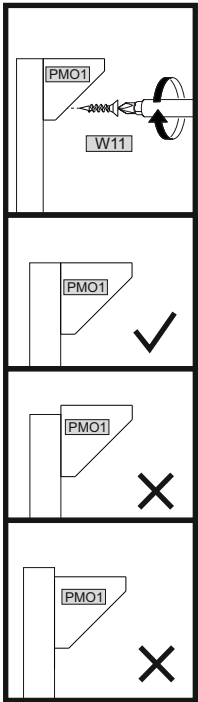
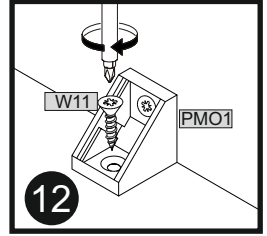
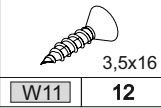
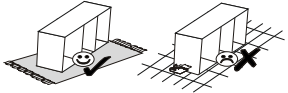
07



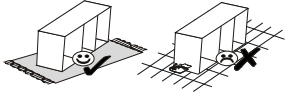
	1		16
--	---	--	----



08



09



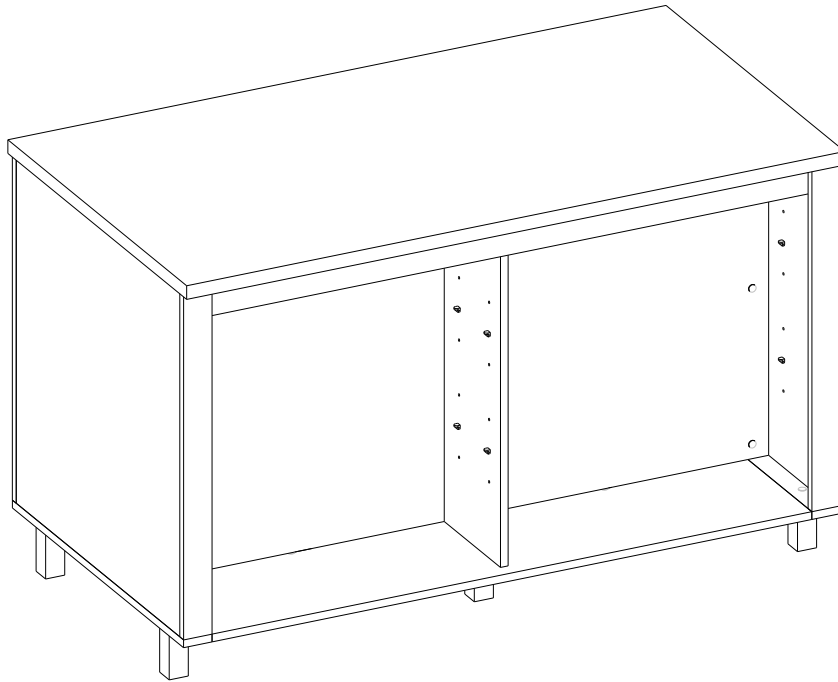
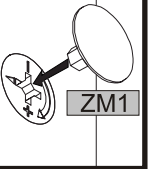
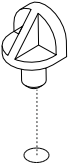
PP

16

ZM1

22

PP



10

